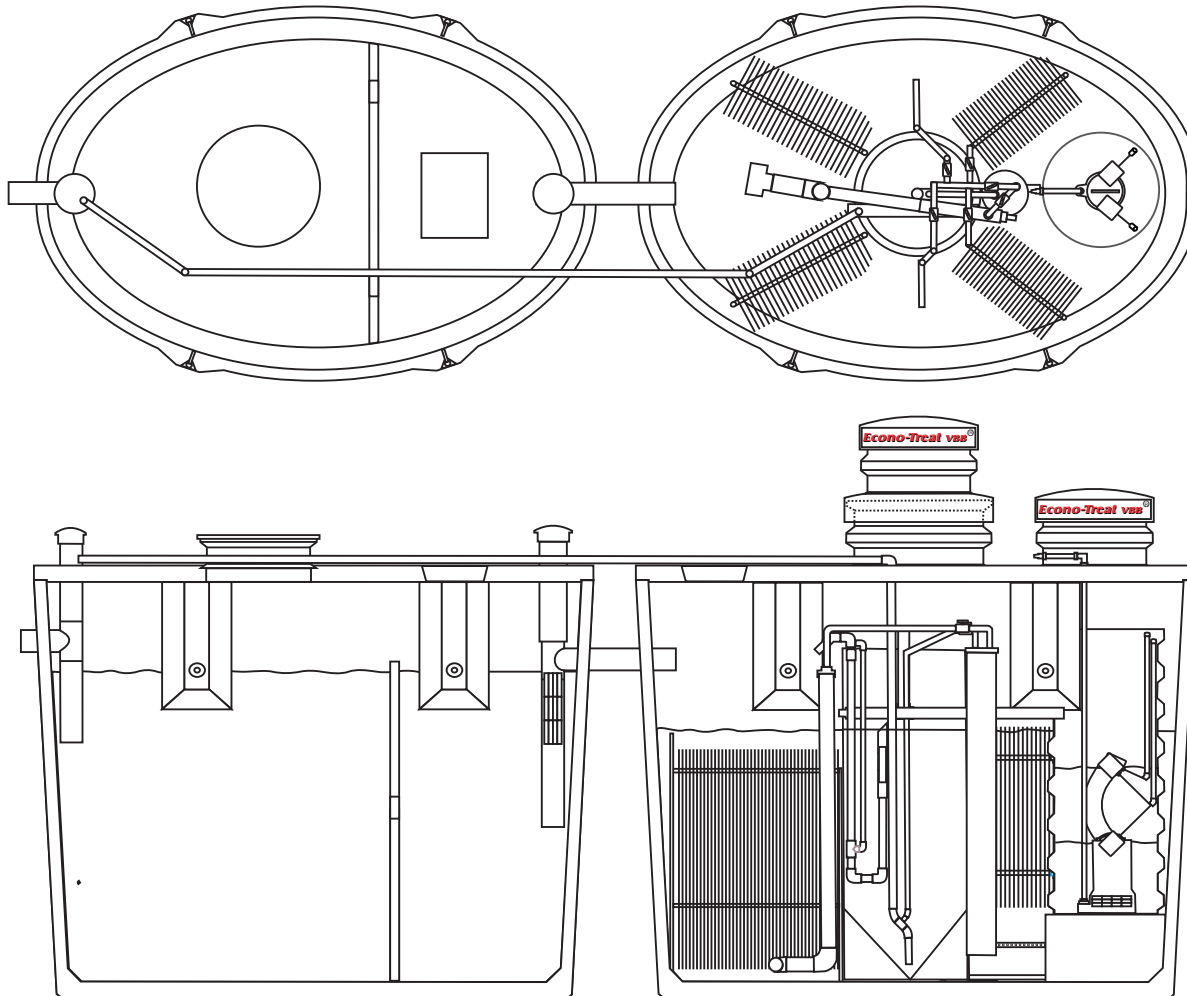


Econo-Treat® VBB

Aerated Sewage Treatment System

Model: VBB-C-2200-2



Manufacturer rated flow per day	10LPD
Description of system process	Aerated submerged fixed film media (open and closed type). Intermittent operation (fine and very large bubble combo)
Volumes (Litres) Number of chambers/tanks Total operating volume/capacity Additional emergency storage Operating level (internal-mm) P.O.D operating Primary chamber/septic tank Aeration chamber Clarification chamber Re-circulation chamber	2 x Tanks, 5 Chambers 2000L 2000L 1250mm 2000L with high level & pump float 2 stage 2000L 2000L 2000L with surge control 2000L
Filter Make/Model Location Size	Brush type In outlet junction 100mm with surge control
Air Blower Make/model kW Runtime Warranty	Nitto LA80 (LA120 optional) 81W (121W) 15 hrs with LA80 3 years
Irrigation Pump	Easy Pump Deep 1000A 0.9KW 36M Head
Electrical controls & alarms	Air & high water alarms (Audible & visual) 10A circuit breaker Aeration controlled by time clock
Other components	Automatic sludge return to primary Air lift skimmer in clarifier

All Tanks 2.5M long by 1.7M wide (approx)

WAIPAPA TANKS
& Waste Treatment Systems Ltd

Ph 09 407 8323 Fax 09 407 8372

166 Waipapa Road, Kerikeri

sales@waipapatanks.co.nz