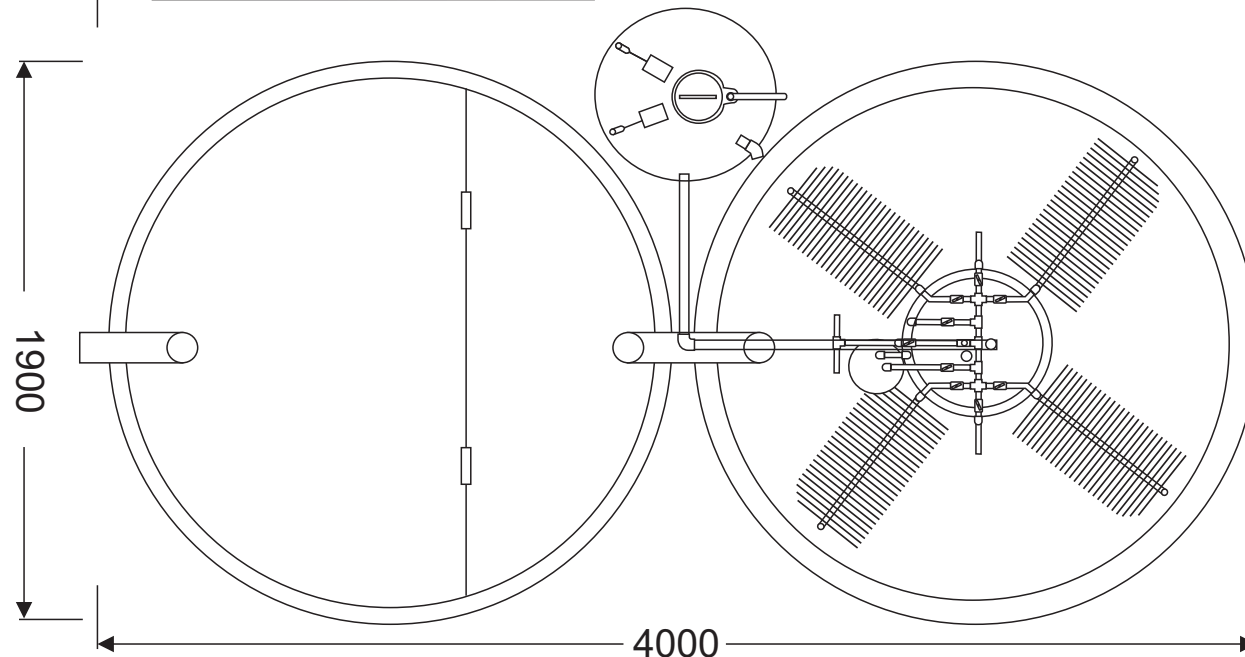
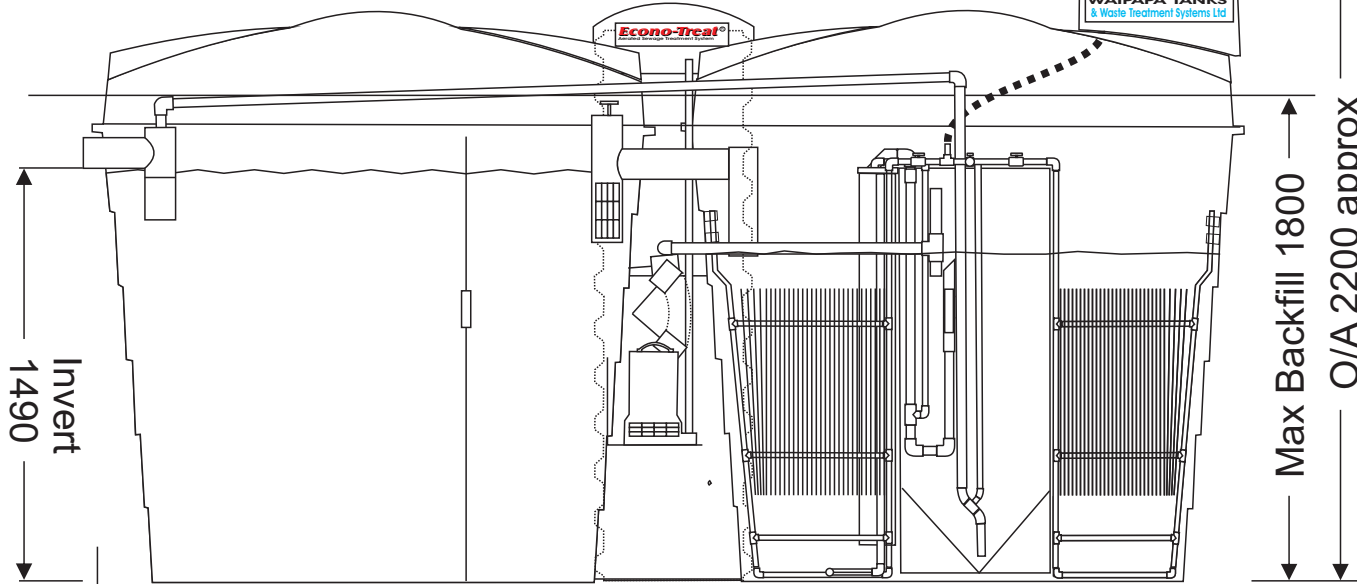


Plans and Specifications

Econo-Treat® VBB

Aerated Sewage Treatment System

Model: VBB-P-2000-2



Manufacturer rated flow per day	2000 LPD (10 persons)
Description of system process <i>Specifically designed for intermittent operation eg holiday homes, schools etc.</i>	Aerated submerged fixed film media (open and closed type). Intermittent operation (fine and very large bubble combo)
Volumes (Litres) Number of chambers/tanks Total operating volume/capacity Additional emergency storage Operating level (internal-mm) P.O.D operating Primary chamber/septic tank Aeration chamber Clarification/Recirculation chamber	5 chambers / 3 tanks 6300L 2000L 1300mm 300L @ 1100mm Dual chamber 3500L 2200L 300L (with surge control)
Filter Make/Model Location Size	Bottle Brush type Outlet junction 300mm with surge control
Air Blower Make/model kW Runtime Warranty	Nitto LA80 (LA120 optional) 81W (121W) 2-21 hrs with LA80 (mode dependent) 3 years
Irrigation Pump	Davey D42A/B 30M head 0.9kW
Electrical controls & alarms	Smart controller (PLC based) Multiple aeration modes (automated) High Level and Aeration Alarms 10A MCB protection UV Treatment (optional)
UV Treatment (optional)	Our uniquely designed smart controller enables reduced power consumption and increased life of the UV tube.
Other components	Air Lift skimmer in clarifier Auto sludge return to primary tank



WAIPAPA TANKS
& Waste Treatment Systems Ltd

Ph 09 407 8323 Fax 09 407 8372

166 Waipapa Road, Kerikeri