

Aerated Waste Treatment System for:

(_ _ _ _ _)

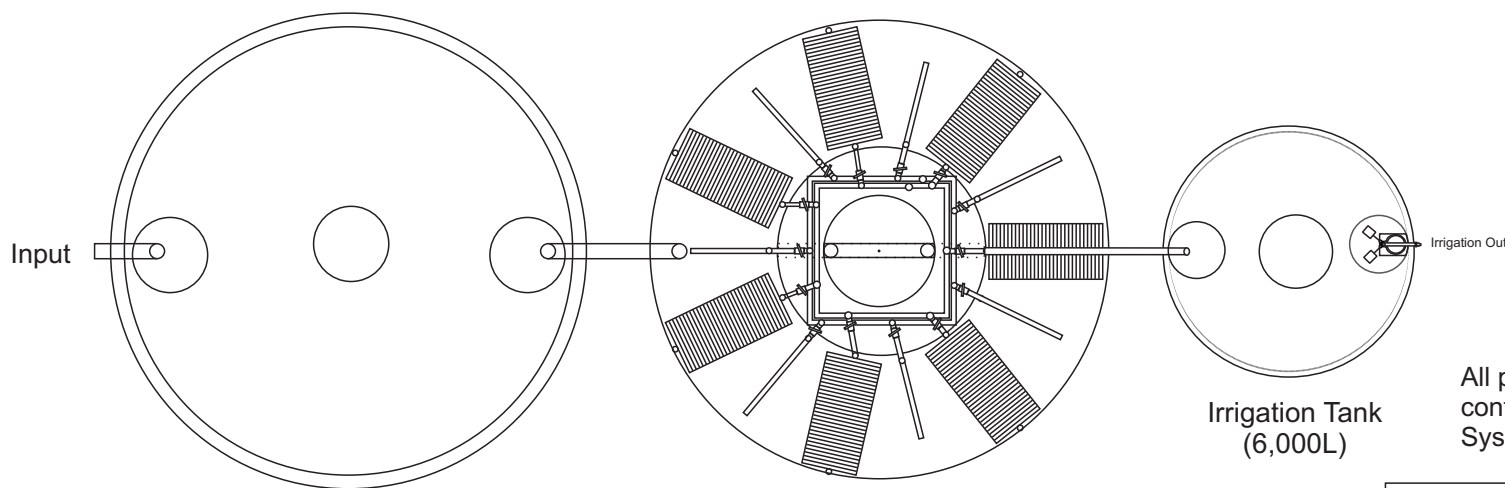
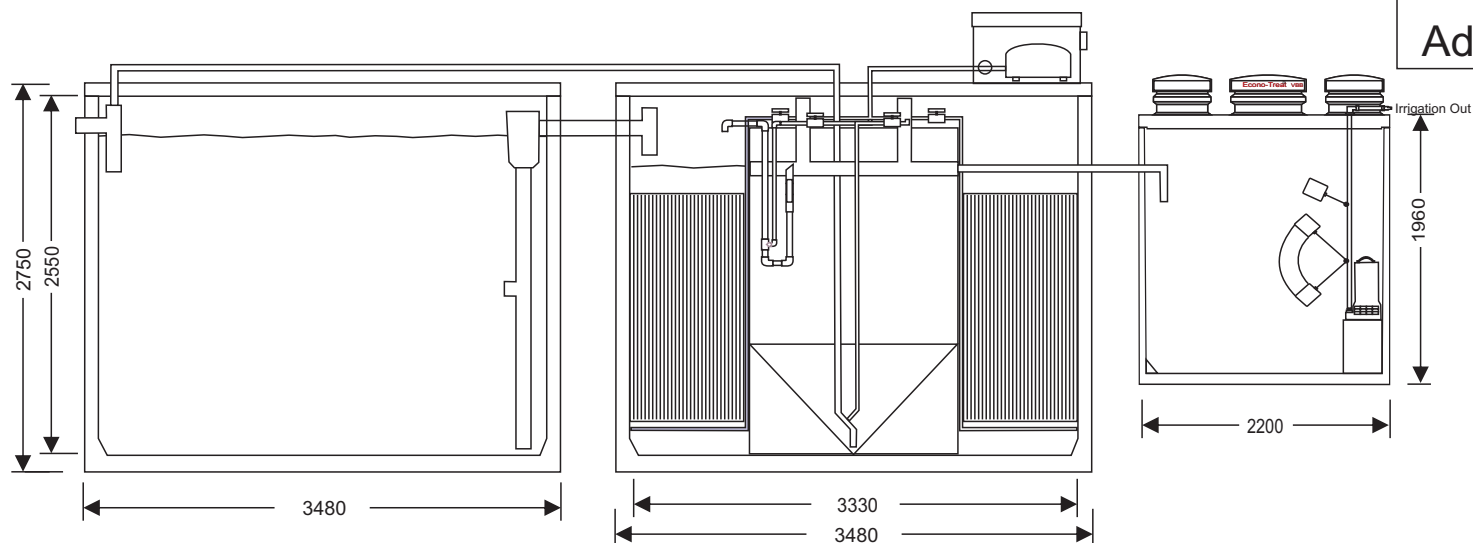
Rated at 7-15,000 Litres/day

Econo-Treat® VBB

Aerated Sewage Treatment System

VBB-C-7-15

Advanced Secondary Treatment



Septic
(22,500L)

Aerated Treatment
(22,500L)

Irrigation Tank
(6,000L)

- Total number of tanks 2+1
- Footprint 30 SqM approx
- Primary Treatment Tanks
1 @ 22,500L
- Aeration Treatment Tank
1 @ 22,500L
- Irrigation Tank
1 @ 6,000L
- Irrigation filter - yes
- Growth Media - 5-7 blocks
- Clarifier diameter - 1.2M each
- Air Pumps: per treatment tank
2-6 Nitto Blowers (200LPM each)
1 * Nitto Blower (120LPM)
- Irrigation Pumps (pumpout)
2 * Diver 150 Borehole or similar
(1 as standby)

Hydraulic loading 7,000-15,000 Litres/day

Remote Alarm
High Water Level & Low Air Pressure

Only single phase power required

Advanced Secondary Treatment Performance

Total Nitrogen <15
BOD <10
Suspended solids <15

All plans and specifications remain copyright and confidential to Waipapa Tanks & Waste Treatment Systems Ltd



Ph 09 407 8323 Fax 09 407 8372

166 Waipapa Road, Kerikeri
sales@waipapatanks.co.nz