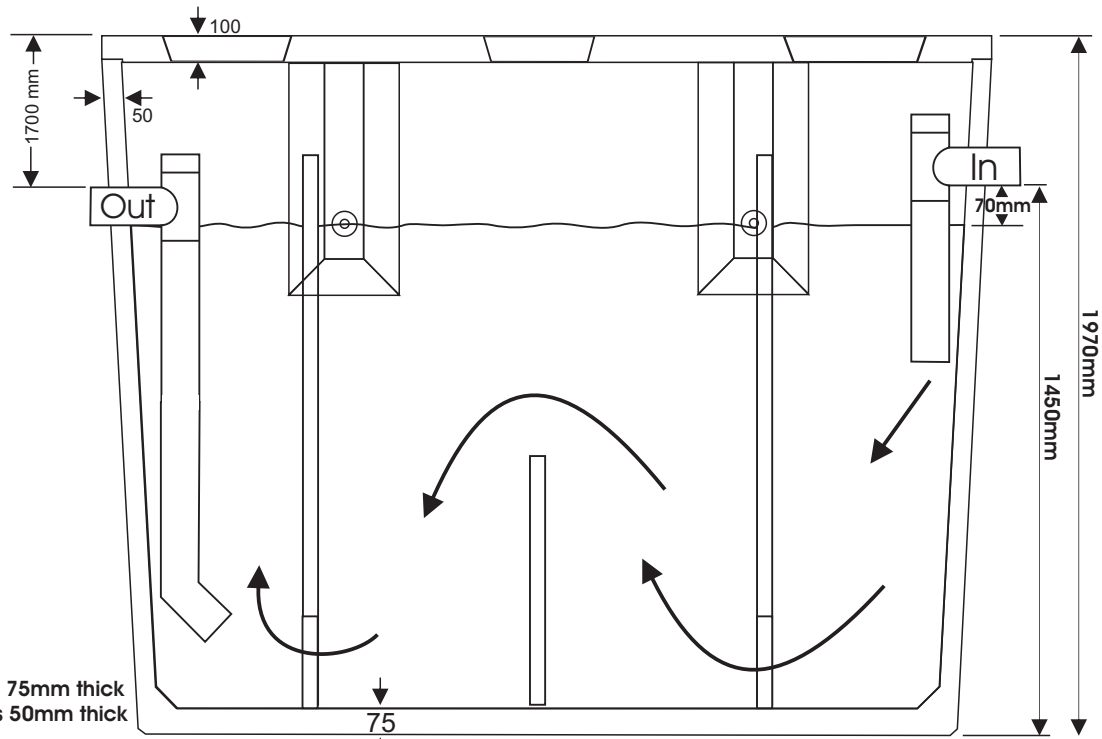


Plan

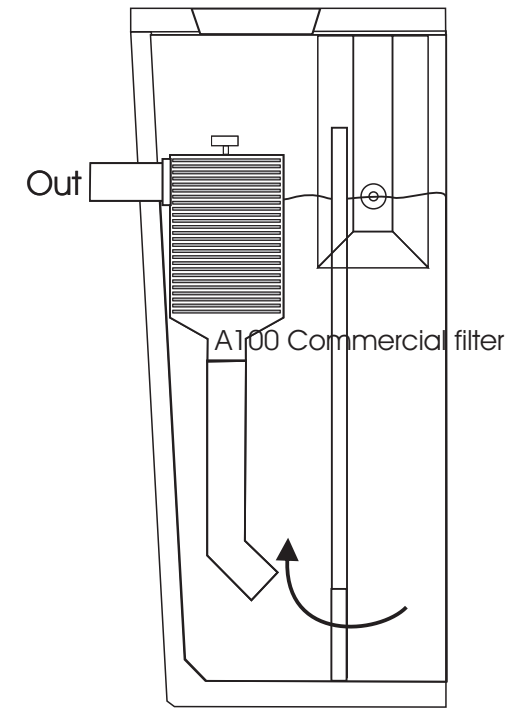


Elevation

Base 75mm thick
Walls 50mm thick

Commercial Grease Trap 4500 Litre (optional)

665 Mesh
Lid 100mm Thick
D12 @ 300mm



Elevation with commercial filter fitted


WAIPAPA TANKS
 & Waste Treatment Systems Ltd
 166 Waipapa Road, Kerikeri, Northland, NZ
 Tel 09 407 8323 Fax 09 407 8372